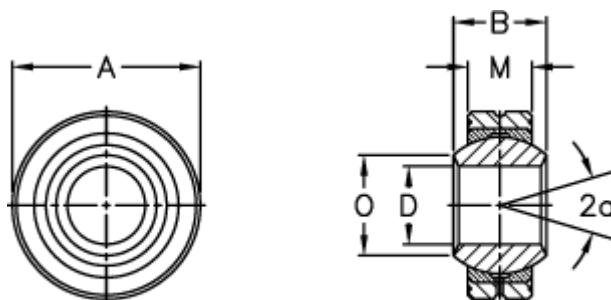


Article number: 03402014

Description: Fluro Rod end GLRS 14

Measures



Str. 3 uden smørerille

A	= 34	Static load C0 (kN) = 102.5
a (degrees)	= 16	Weight = 83
B	= 19	
D	= 14	
Dynamic load C (kN)	= 17	
M	= 13.5	
O	= 16.8	
Permissible rpm	= 750	